

1 Channel Blade Digital Video Encoder DVS-8501E

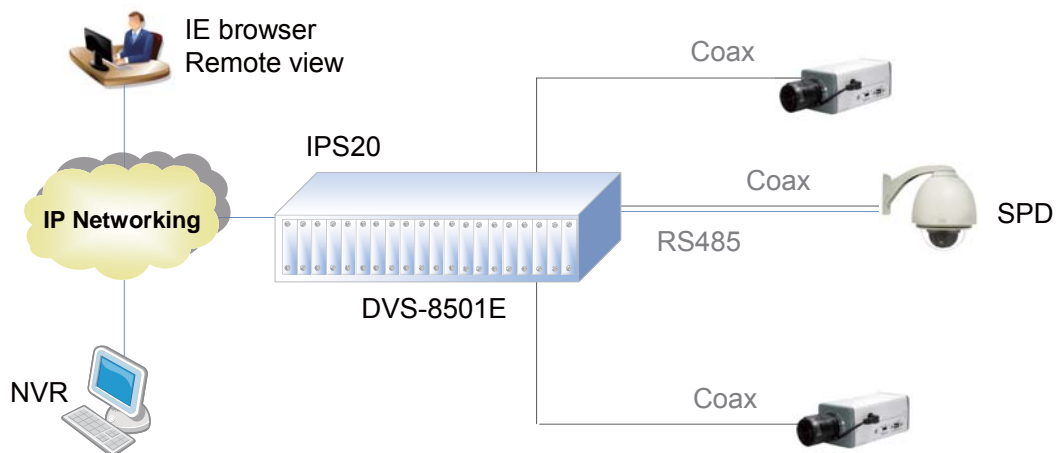


CTC Union DVS-8501E Video Encoder Blade is a 1-ch video encoder provides H.264 & M-JPEG cutting edge video compression technologies. It can deliver multiple or individual configurable video streams simultaneously with full D1 resolution at 30/25 (NTSC/PAL) FPS and remote monitoring. This means that several video streams can be configured with different resolutions, frame rates and bit rate for different needs. The DVS-8501E can also provide dual-stream transmissions for recording and monitoring. The web management offers the convenience user access to detailed alarm detection and actions. When the DVS-8501E blades are used with CTC IPS series racks, this combination can effectively convert the analog security systems to high efficient performance IP based solution.

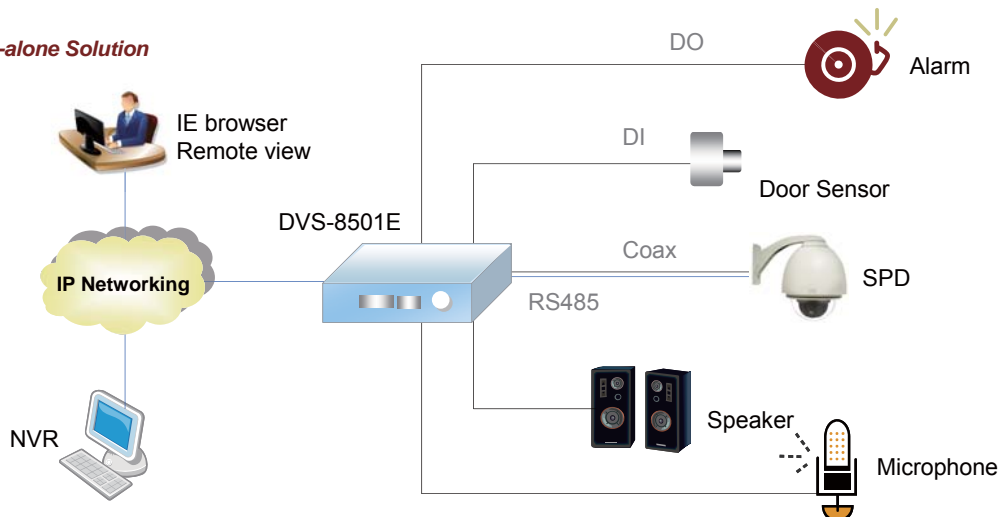
Features

- Multiple H.264 streams
- D1 resolution @ 30FPS, (NTSC) @ 25FPS (PAL)
- 1 video in, 1 audio in / out
- Built-in Web server for management
- Supports HTTPS and password protection
- Provides main and sub video streams with different resolution
- Supports logic (AND / OR) event alarms
- Supports two-way audio
- 1 Digital Input / 1 Digital Output connections
- Supports privacy mask
- Fan less design

DVS 8501E Rack Solution



DVS 8501E Stand-alone Solution



Ordering Information

DVS-8501E 1-ch H.264 digital video encoder

Specifications

Video Compression

H.264/M-JPEG

Video Stream

Main Stream, Sub stream (Main Stream to select D1 or 4CIF)
(Slave stream only to select CIF or QCIF)

Video Resolutions

D1: 720x480(NTSC)/720x576(PAL)
4CIF: 704x480(NTSC)/704x576(PAL)
2CIF: 704x240(NTSC)/704x288(PAL)
CIF: 352x240(NTSC)/352x288(PAL)
QCIF: 176x120(NTSC)/176x144(PAL)

Operating System

Embedded Linux

Video Frame Rate

1 ~ 30 FPS

Video Quality

5 levels (Medium, standard, good, detailed, excellent), Auto

Video Input

1, BNC, 75 ohm, 1 Vp-p

Network Connector

RJ-45, IEEE 802.3 10Base-T, 802.3u 100Base-TX

Network Protocols

TCP, UDP, IP, ICMP, PPPoE, ARP, UPnP, HTTP, HTTPS, FTP, SMTP, DHCP, DNS, DDNS, RTP, RTSP, SNMP

Audio Inputs

1 channel audio, Microphone in

Audio Output

1 channel audio, Line out

Audio Compression

ADPCM G.711

Audio Stream

Two-way (H.264 only)

Input / Output Signal

6V p-p, +10dBm max

Input / Output Impedance

600 ohms

Terminal Block

1xRS-485 (DB9 interface), 1 alarm input, 1 alarm output

PTZ Protocol

Pelco D, P

PTZ Baud Rate

2400, 4800, 9600, 12800, 19200 Kbps

PTZ Control Speed

Pan, Tilt, Zoom, Focus, Iris

PTZ Preset

32 Preset positions

PTZ Patrol

4 Tour mode (Each mode has 10 positions)

Remote Management

Web (CGI), SNMP v1/v2c

Dimension

Line card type: 88*137*20.8mm (W*D*H)

Operating condition

-10 to 60 degree (Celsius)

Storage condition

-20 to 85 degree (Celsius)

Operating Humidity

0 to 95% (non-condensing)

Power Input

12VDC, 1A

System Reset

Reset button (factory default)

LED Indications

Power, LAN, video status

Motion Detection

Drag and drop configurable detection windows

Configuration Backup /Recovery

Web browser

Firmware Upgrade

Web browser

NTP

Sync with PC, Sync with NTP server, Manual

Video Adjustment

Brightness, contract, saturation, color tone level

User Account

Up to 10 user accounts for configurable

Event Action

FTP, E-mail, DO1, SMS, SNMP, remote storage, PTZ preset

Event Sending Path

FTP; E-mail (forwarding JPEG picture)

Digital Zoom

4x

Snapshot

Live view mode (JPEG format)

Event Define

User define video frame rate and video resolution and video quality when alarm input and motion detection

Text Overlay

Configurable text color, background color, date/time, display position

Privacy Mask

Support 3 privacy mask window

System Language

English, Simplified Chinese, Traditional Chinese

Log

System log, operating log

NVR Support

CTC Union , **NUVO**

DIMENSION DIAGRAM

