

Network Camera Family

Dual Stream Network Dome Camera



IPCAM-8309D

The IPCAM-8309D is a powerful network dome camera with VGA (640*480) resolution for professional surveillance and remote monitoring. The integrated Power over Ethernet allows power to be supplied to the camera via the network cable. Additionally, the product offer multi-level password protection and HTTPS / SSL encryption. The IPCAM-8309D also supports 3GPP mobile protocol, which enables users to monitor via 3G cell phones or any RTSP (Real Time Streaming Protocol) compatible multimedia device on the go.

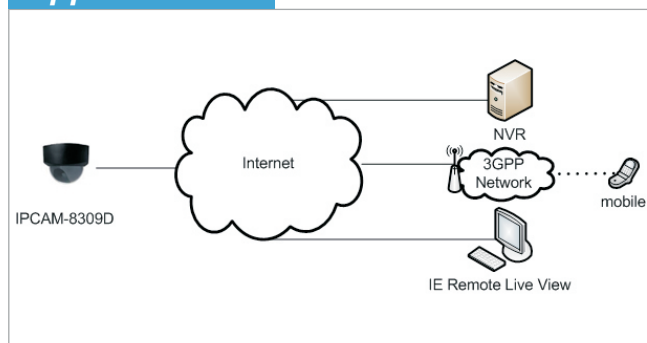
Features

- 1/4" progressive scan CMOS sensor
- Simultaneous Motion JPEG & MPEG-4 streams up to 4CIF resolution
- Excellent image quality with up to 30 fps in all resolution
- PoE (Power over Ethernet) enabled device
- Supports two-way Audio
- Digital Input / Output port for external alarm & sensor
- Supports 3GPP/ISMA RTSP
- UPnP for fast and easy Installation
- Free bundled 16 channel surveillance and recording software

Specifications

Image Sensor	1/4" Progressive VGA CMOS Effective pixels 640x480
Lens	4.0mm, F2.0
Minimum Illumination	0.5Lux
Video Compression	MPEG4, Motion JPEG
Video Adjustment	Brightness, Contrast, Hue, Saturation, Constant Bit Rate (CBR), Variable Bit Rate (VBR)
Bit Rate	64K ~2Mbps
Frame Rate	Motion JPEG: Up to 30 fps in all resolutions MPEG-4: Up to 30 fps in all resolutions
Video Stream	Simultaneous Motion JPEG and MPEG-4 Controllable frame rate and bandwidth 3GPP/ISMA RTSP compatible
Digital Zoom	10x
Operating System	Embedded Linux 2.4
Processor and Memory	ARM9 based 32-bit RISC CPU, 64MB RAM, 8MB Flash
Ethernet	RJ-45 10BaseT/100BaseTX PoE
Audio Streaming	Two-way
Audio Input	3.5 mm mic/line in
Audio Output	3.5 mm line out jack
Audio Compression	ADPCM 64Kbps
Terminal Block Connector	1 alarm input/ 1 relay output
Alarm Trigger	External input, Motion detection
Alarm Events	Pre and post alarm buffer File upload via FTP Notification via email External output activation
Network Protocols	TCP/IP, DHCP, PPPoE, ARP, ICMP, FTP, SMTP, DNS, NTP, IGMP, UPnP, RTSP, RTP, HTTP, TCP, UDP, 3GPP/ISMA RTSP
Application Program	CTCU IP installer (Win32 Application) 16 channel recording software (SVP-Express)
Security	Password protection, HTTPS encryption, user access log
Operating Condition	0~50°C
Operating Humidity	20~80% RH (non-condensing)
Power	DC 12V, 1A
Dimensions	110 x 130 mm (W x H)
Approvals	CE, FCC, RoHS
Included Accessories	CD with installation and management software, Power supply

Application



Ordering Information

- **IPCAM-8309D** Dual Stream Network Dome Camera