

Installation Instructions

Non Managed 2U 8-Slot FMC Rack

Fiber Media Converter Rack

Description

FMC-CH08 is a 2U 10-inch 8-slot Fiber Media Converter Rack with one Internal AC or DC Power for any combination of FMC Media Converters Up to Eight. Media converters can be powered by FMC-CH08 Converter Rack without the requirement of external AC power adapter. FMC-CH08 Rack can be used as a table top unit or installed into a 19-inch rack in tandem. The available FMC Media Converters include FMC-10/100 Unmanaged Converter, FMC-10/100P PoE Converter, FMC-10/100POF-S Plastic Optic Fiber Converter with SMI Transceiver and FMC-10/100POF-O Plastic Optic Fiber Converter with Optolock Transceiver.

Key Features

- 8-Slots for FMC series Media Converter
- 2U, 19-inch Rack Mount in Tandem.
- One cooling fan per chassis
- Plug & Play Operation
- With fixed AC or DC Power Installed

Specifications

Slot Capacity

- 8 Slide-in units

Dimension and Weight

- Size : 442 x 202 x 102 mm (W x D x H)
- Shipping Weight :

Emission / Safety

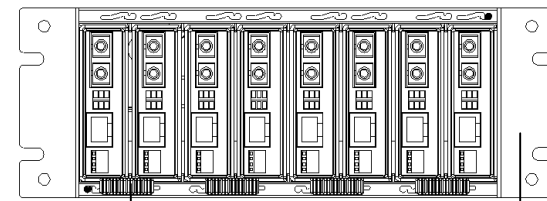
- FCC Part 15 Class A, CE Mark

Power

- AC Power Input : 100 ~ 240 VAC
- DC 24 Power Input : 18 ~ 36 VDC
- DC 48 Power Input : 36 ~ 72 VDC
- Frequency : 50 ~ 60Hz
- Power Consumption : 65W max

Operation & Storage Temperature

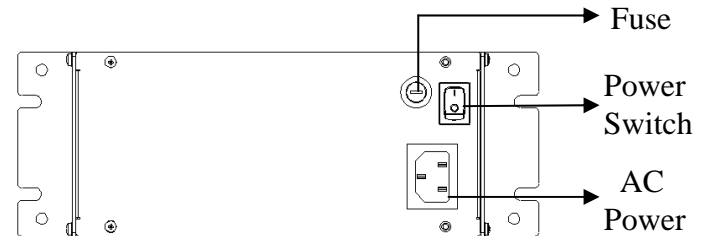
- Operating Temperature : 0 ~ 50°C
- Storage Temperature : -20 ~60° C
- Humidity : 5 to 90%



Front Panel

Card locking mechanism

Rackmount adapter bracket

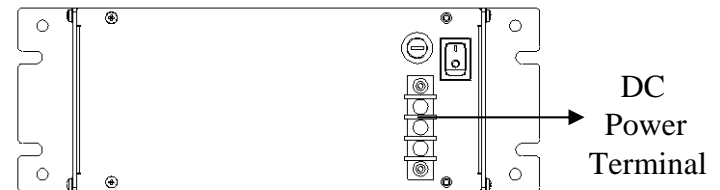


Rear Panel

Fuse

Power Switch

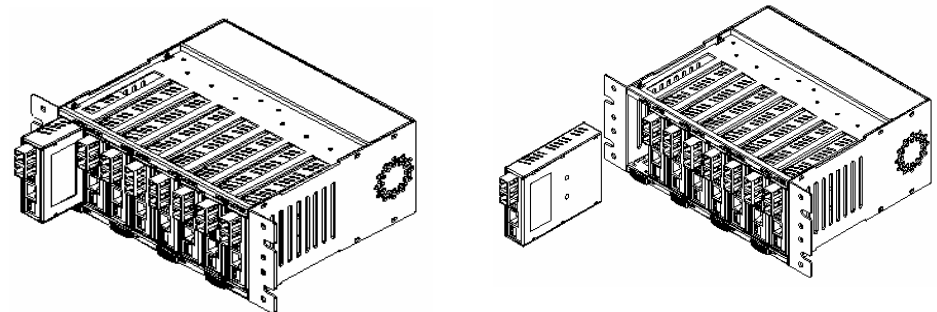
AC Power Jack



DC Power Terminal

Media converter installation

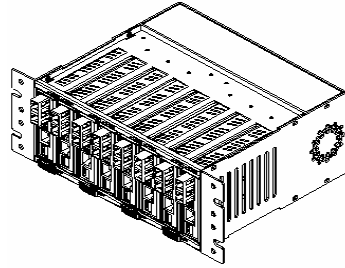
Carefully align the slider and slide tray. Then press in Media converter with firm and steady pressure.



Installation

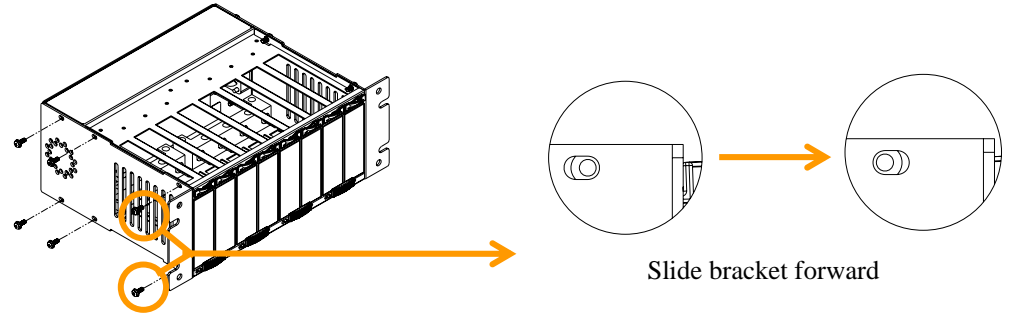
Rack Mounting

The FMC-CH08 Rack has the option of adding standard EIA 19-Inch rack mount capability. The Rack mount option provides for mounting two FMC-CH08 Racks in tandem (full space). Each rack mount kit provides all the necessary hardware for a complete installation.



Step1:

Loosen the screws on the left adapter-bracket of the FMC-CH08. Move the bracket forward about 1.8mm, then re-tighten the screws.

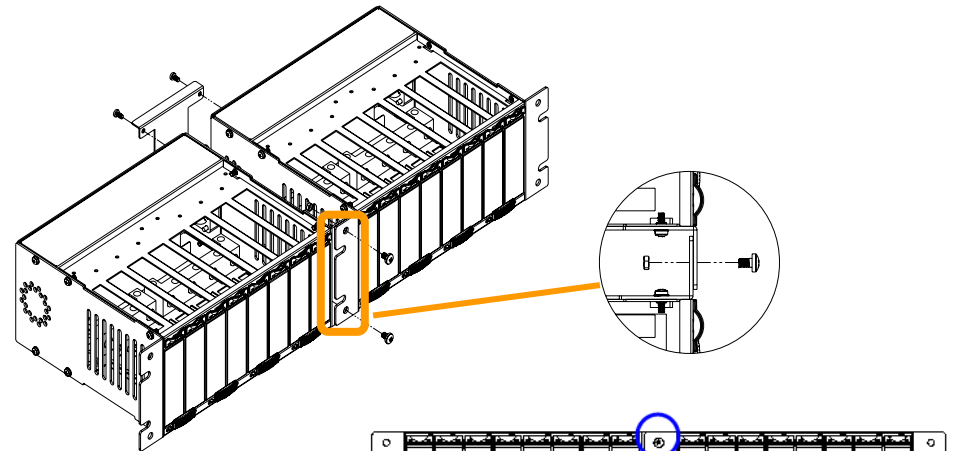


Step2:

Locate the chassis on the right side and use the rack mount kit and screws to fix brackets on the separate units together.

On the rear side on the unit, use the connection panel provided in the rack-mount kit to hold the separate units together.

The assembly is ready to be mounted in a standard EIA 19" rack.



In order to install in 19-inch Rack, the FMC-CH08 Rack needs to be mounted in tandem. Please refer to the following drawing example for this application.

